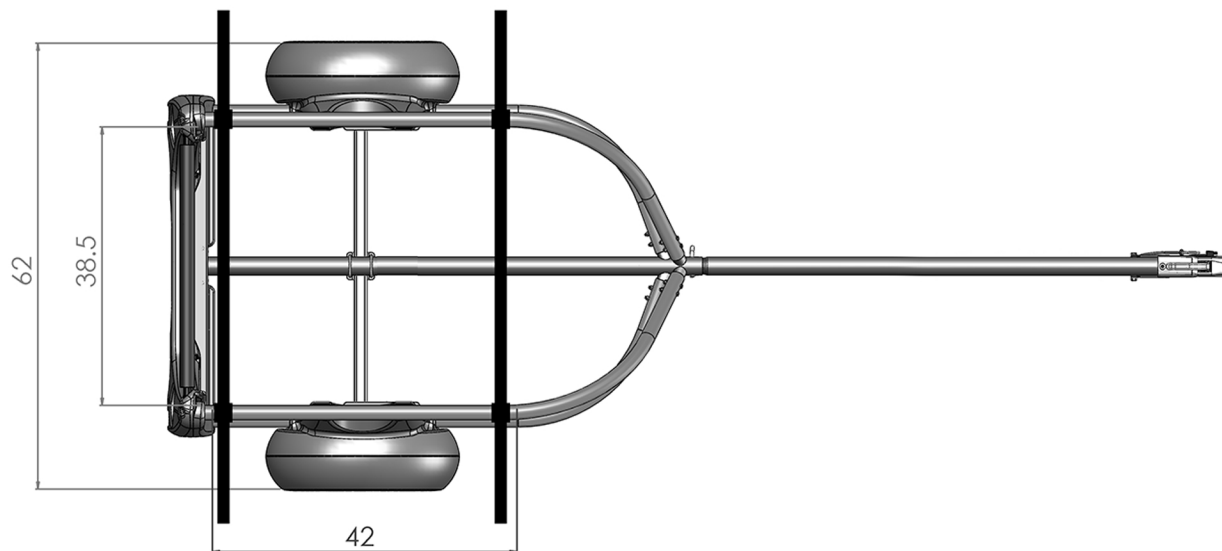
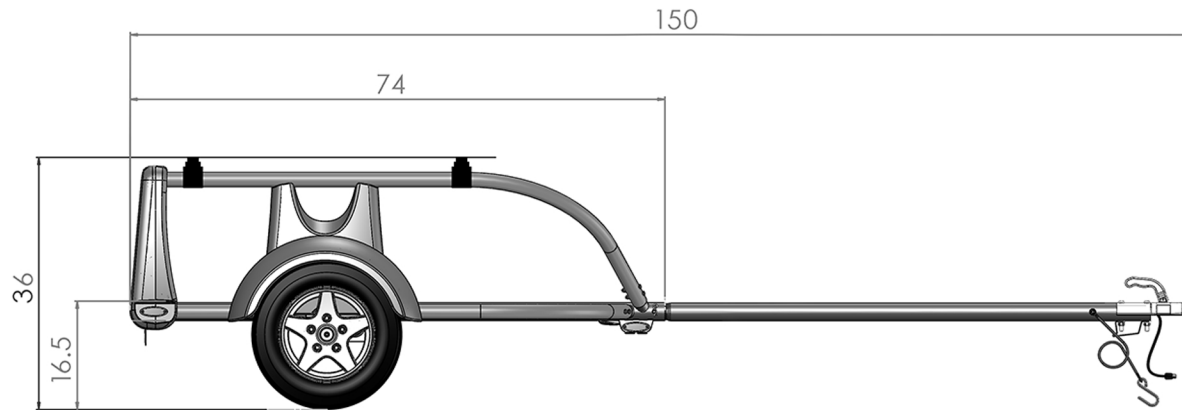


sylvansport

go  EASY DIMENSIONS



	GO EASY	GO EASY Essential	GO EASY Ultimate
Cost	\$2,295	\$2,795	\$3,295
Weight	235lbs	260lbs	305lbs
Total Carrying Capacity	565lbs	540lbs	495lbs
Rack Carrying Capacity	165lbs	165lbs	165lbs
GVWR	800lbs	800lbs	800lbs
Dimensions (not incl crossbars)	150" x 62" x 35"	150" x 62" x 35"	150" x 62" x 35"
Ground Clearance	9.75" (to axle)	9.75" (to axle)	9.75" (to axle) 8" (to spare tire)
Electrical	Flat 4-pin connector plug	Flat 4-pin connector plug	Flat 4-pin connector plug
Hitch	1-1/4" or 2"	1-1/4" or 2"	1-1/4" or 2"
Ball	2" ball 15" ball height	2" ball 15" ball height	2" ball 15" ball height
Coupler	Soft touch handle One-step engagement	Soft touch handle One-step engagement	Soft touch handle One-step engagement
Tongue	75" standard length 45" short length (optional) Hardened steel	75" standard length 45" short length (optional) Hardened steel	75" standard length 45" short length (optional) Hardened steel
Tongue Weight (unloaded)	30lbs	30lbs	30lbs
Rack System	79" wide Thule ProBar crossbars Tool-free removal Compatible w/ most rack brands	79" wide Thule ProBar crossbars Tool-free removal for use as utility trailer Compatible w/ most rack brands	79" wide Thule ProBar crossbars Tool-free removal for use as utility trailer Compatible w/ most rack brands

Load Height	36"	36"	36"
Frame	Steel w/ two-step powder coat finish	Steel w/ two-step powder coat finish	Steel w/ two-step powder coat finish
Rear Frame	Rotomolded polyethylene	Rotomolded polyethylene Removable nylon mesh tailgate	Rotomolded polyethylene Removable nylon mesh tailgate
Fenders	Rotomolded polyethylene	Rotomolded polyethylene	Rotomolded polyethylene
Cargo Deck	N/A	47" x 43.5" Molded polyethylene 25lbs	44" x 43.5" Polished aluminum diamond plate 33lbs
Storage Box	N/A	N/A	6.2 cu ft Rotomolded polyethylene Waterproof kayak style hatch cover
Lighting	Waterproof marine-grade LED system	Waterproof marine-grade LED system	Waterproof marine-grade LED system
Axle	Dexter torsion axle Self-lubricating hubs	Dexter torsion axle Self-lubricating hubs	Dexter torsion axle Self-lubricating hubs
Wheels	12" Steel	12" aluminum	12" aluminum
Tires	Kenda LoadStar K353 4.80x12 Load range C (990lbs/tire) Speed limit: 65mph	Kenda LoadStar K353 4.80x12 Load range C (990lbs/tire) Speed limit: 65mph	Kenda LoadStar K353 4.80x12 Load range C (990lbs/tire) Speed limit: 65mph
Spare Tire	N/A	N/A	Kenda LoadStar 4.8/4.00-8 Galvanized steel wheel
Versatility	Upgradeable to Essential or Ultimate	Utility trailer	Utility trailer
Assembly	<1hr	<1hr	<1hr
Warranty	2 yrs	2yrs	2yrs